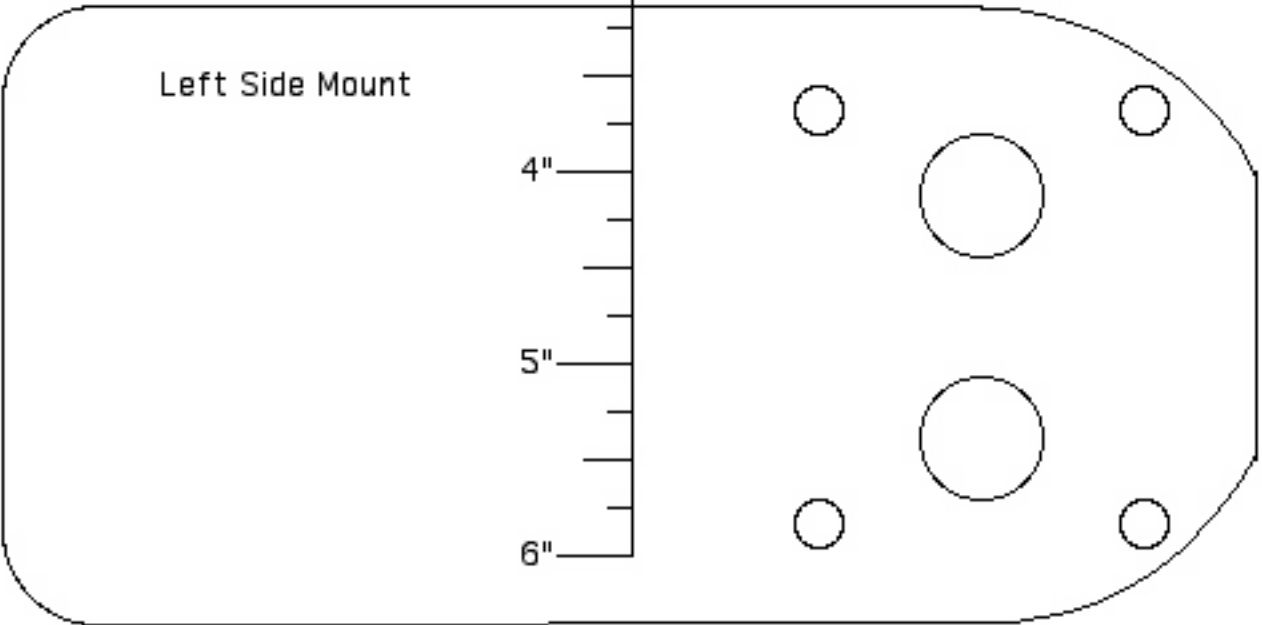
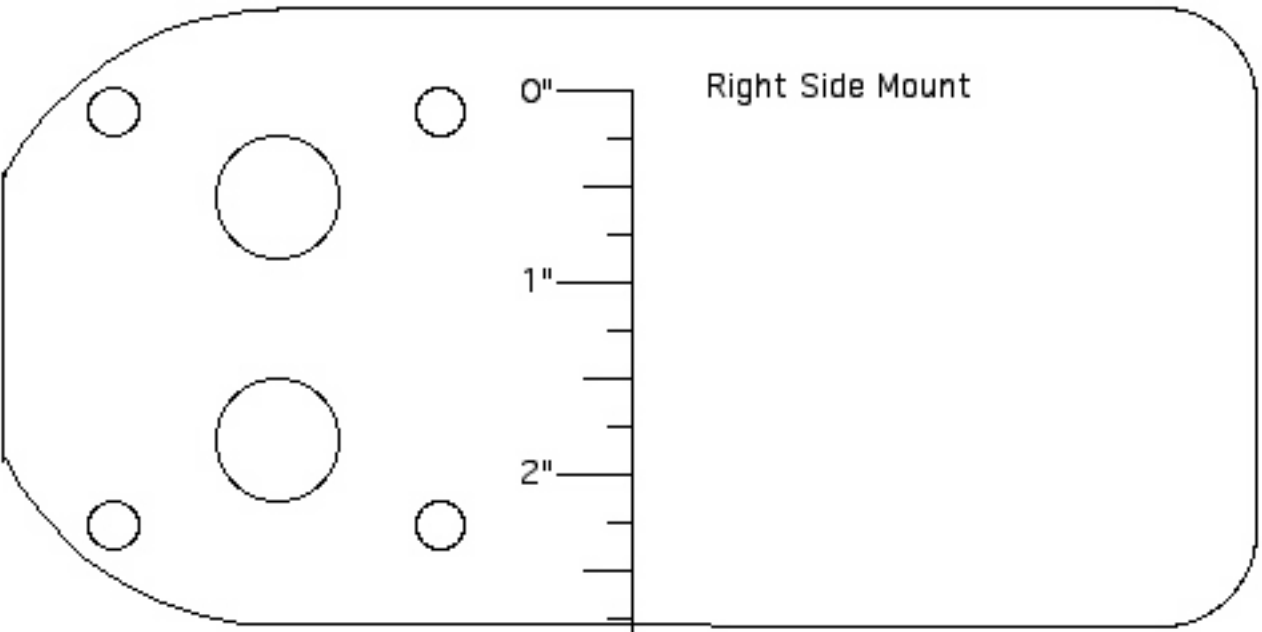


S1 #52 Blade, View from front
Specify orientation



Blade Configurations
Configurations apply to all pumps as appropriate, others available. Blades are 1/2" wide, separators 1/4" wide. Blade drawings are full size. "XX" indicates blade #.

