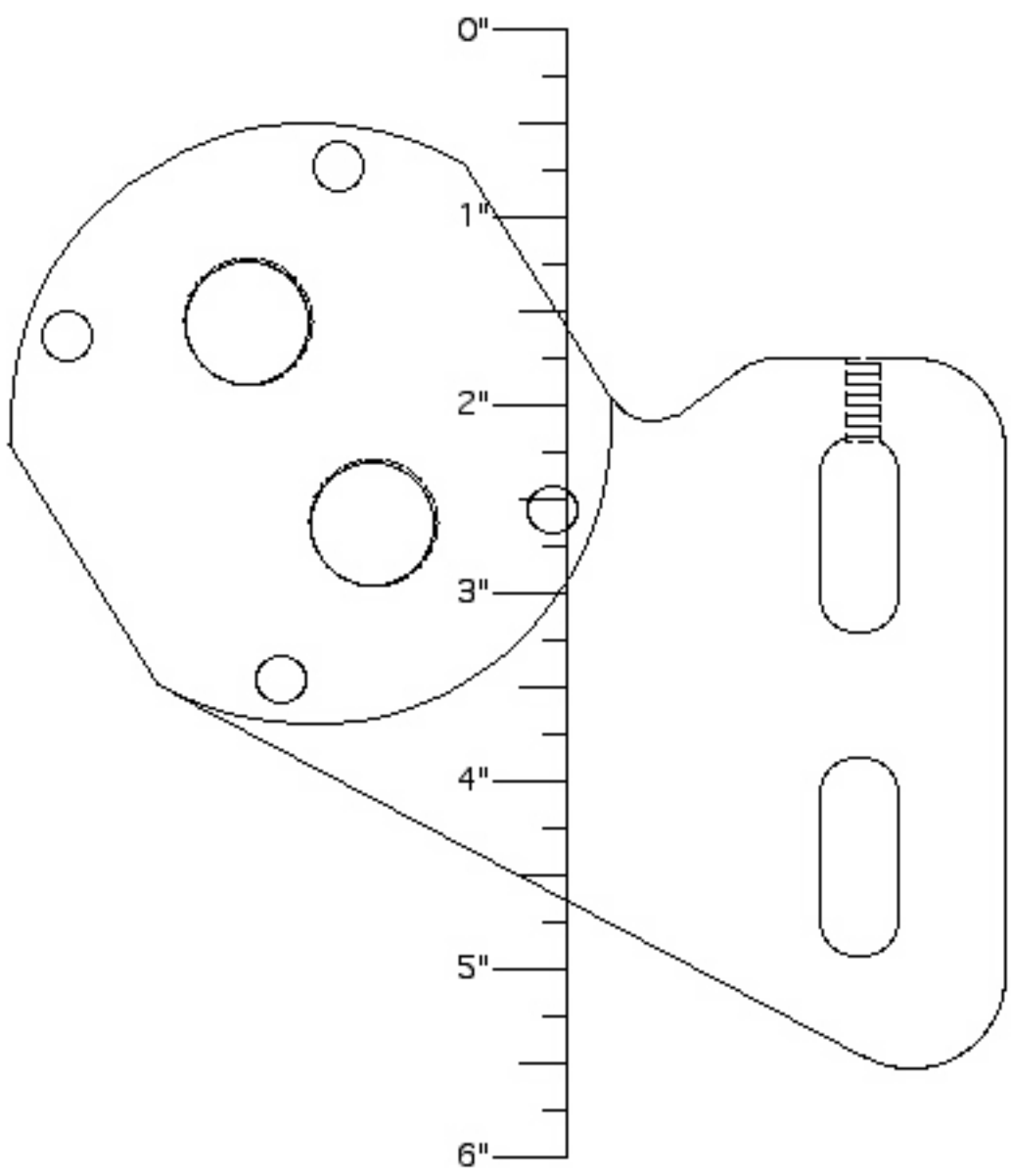


S1 #31 Bert/Brinn Transmission Mount  
View From Front



Blade Configurations  
Configurations apply to all pumps as appropriate, others available. Blades are 1/2" wide, separators 1/4" wide. Blade drawings are full size. "XX" indicates blade #.

